



Fax Quote/Order Sheet

800-710-7525

2150 Rosedale Road, Quakertown, PA 18951

To: Jurin Metal Shop

Fax: 215-536-6182

Company/Contact: _____ Phone: _____

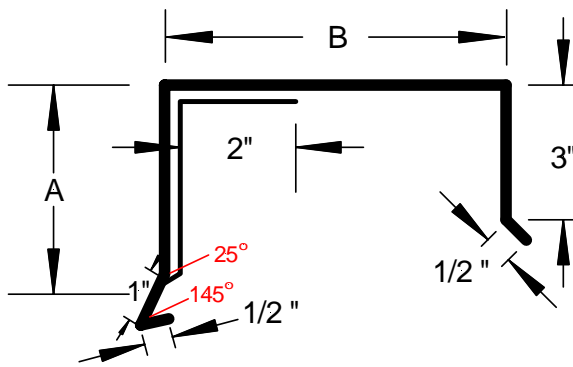
Date: _____

Job Name: _____

QUOTE

Date Needed: _____

ORDER



Copping

splice plates? Y N

Size #1 A= _____ B= _____ Size #2 A= _____ B= _____

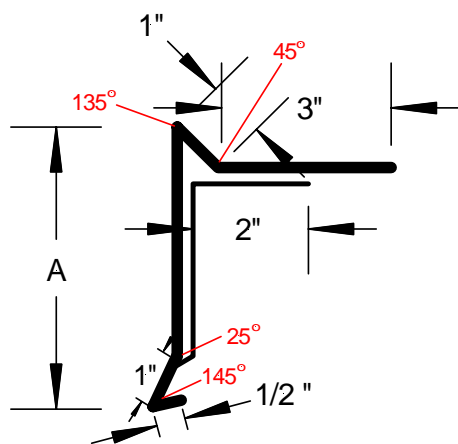
Quantity _____ Quantity _____

gauge _____ color _____ gauge _____ color _____

Size #3 A= _____ B= _____ Size #4 A= _____ B= _____

Quantity _____ Quantity _____

gauge _____ color _____ gauge _____ color _____



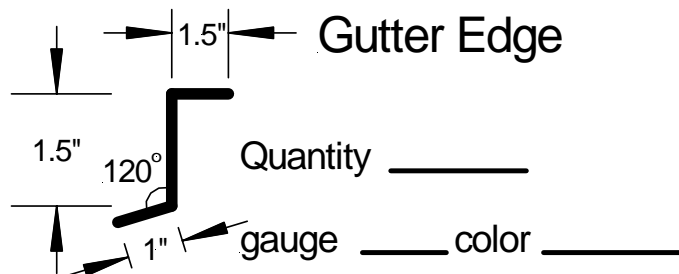
Gravel Stop

splice plates? Y N

Size #1 A= _____ Size #2 A= _____

Quantity _____ Quantity _____

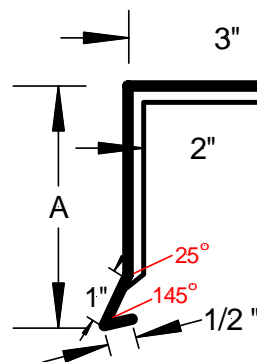
gauge _____ color _____ gauge _____ color _____



Gutter Edge

Quantity _____

gauge _____ color _____



Drip Edge

splice plates? Y N

A= _____

Quantity _____

gauge _____ color _____