



Fax Quote/Order Sheet

800-710-7525

2150 Rosedale Road, Quakertown, PA 18951

To: Jurin Metal Shop

Fax: 215-536-2661

Company/Contact: _____ Phone: _____

Date: _____

Job Name: _____

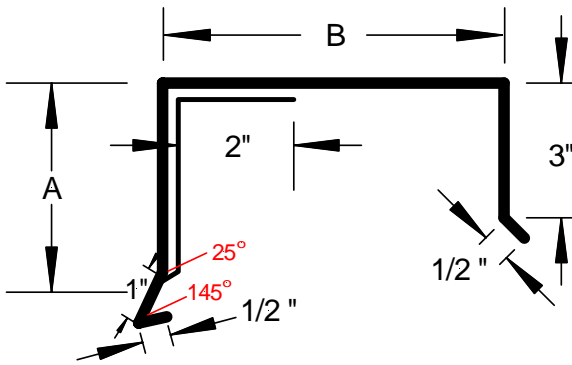
QUOTE

Date Needed: _____

ORDER

Coping

splice plates? Y / N



Size #1 A= _____ B= _____ Size #2 A= _____ B= _____

Quantity _____ Quantity _____

gauge _____ color _____ gauge _____ color _____

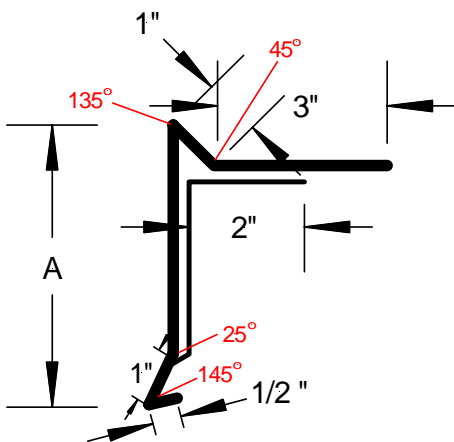
Size #3 A= _____ B= _____ Size #4 A= _____ B= _____

Quantity _____ Quantity _____

gauge _____ color _____ gauge _____ color _____

Gravel Stop

splice plates? Y / N



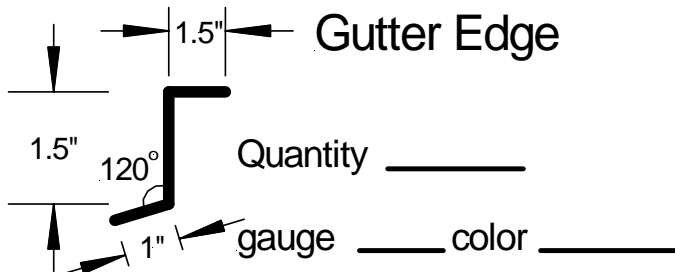
Size #1 A= _____ Size #2 A= _____

Quantity _____ Quantity _____

gauge _____ color _____ gauge _____ color _____

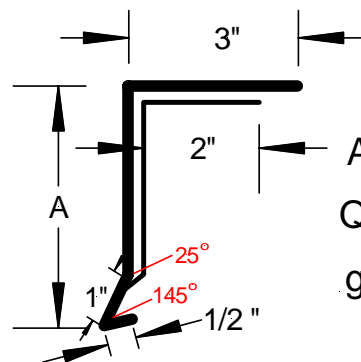
Drip Edge

splice plates? Y / N



Quantity _____

gauge _____ color _____



A= _____

Quantity _____

gauge _____ color _____